

SERVICE BULLETIN 35

SUBJECT: CORRECT CONTROL STICK SLEEVE FOR THE GLASAIR II AIRCRAFT

APPLICATION: GLASAIR II KITS SHIPPED WITH A P/N 475-10195-01 CONTROL SLEEVE

REFERENCES: INSTRUCTION MANUAL Volume 1, Wing Assembly section:

Glasair II TD: Page C-41
Glasair II FT: Page C-54
Glasair II RG: Page C-41

DESCRIPTION: All Glasair II kits shipped prior to 7/16/87 were delivered with the incorrect aileron control sleeve (P/N 475-10195-01). The correct aileron control sleeve for all Glasair II models is P/N 475-3G-3220-01. This control sleeve (P/N 475-3G-3220-01) has a longer actuating arm than the incorrect control sleeve (P/N 475-10195-01).

If you have any doubt as to which control sleeve tube was sent to you, the part number of the control sleeve can be determined by measuring the distance between the outside surface of the control sleeve tube to the center of the bolt hole in the control sleeve actuating arm, as shown in FIGURE (1).

P/N 475-3G-3220-01 _____ 3"
P/N 475-10195-01 _____ 2-1/2"

SOLUTION: If you have recieved the incorrect control sleeve (P/N 475-10195-01), return the incorrect control sleeve to the Shipping Dept. at Stoddard-Hamilton aircraft and the correct P/N control sleeve will be sent to you.



MODEL	ASSEMBLY NAME	REVISION	DATE	VOLUME	PAGE
GLASAIR II	SERVICE BULLETIN 35		08/20/87		1 OF 2

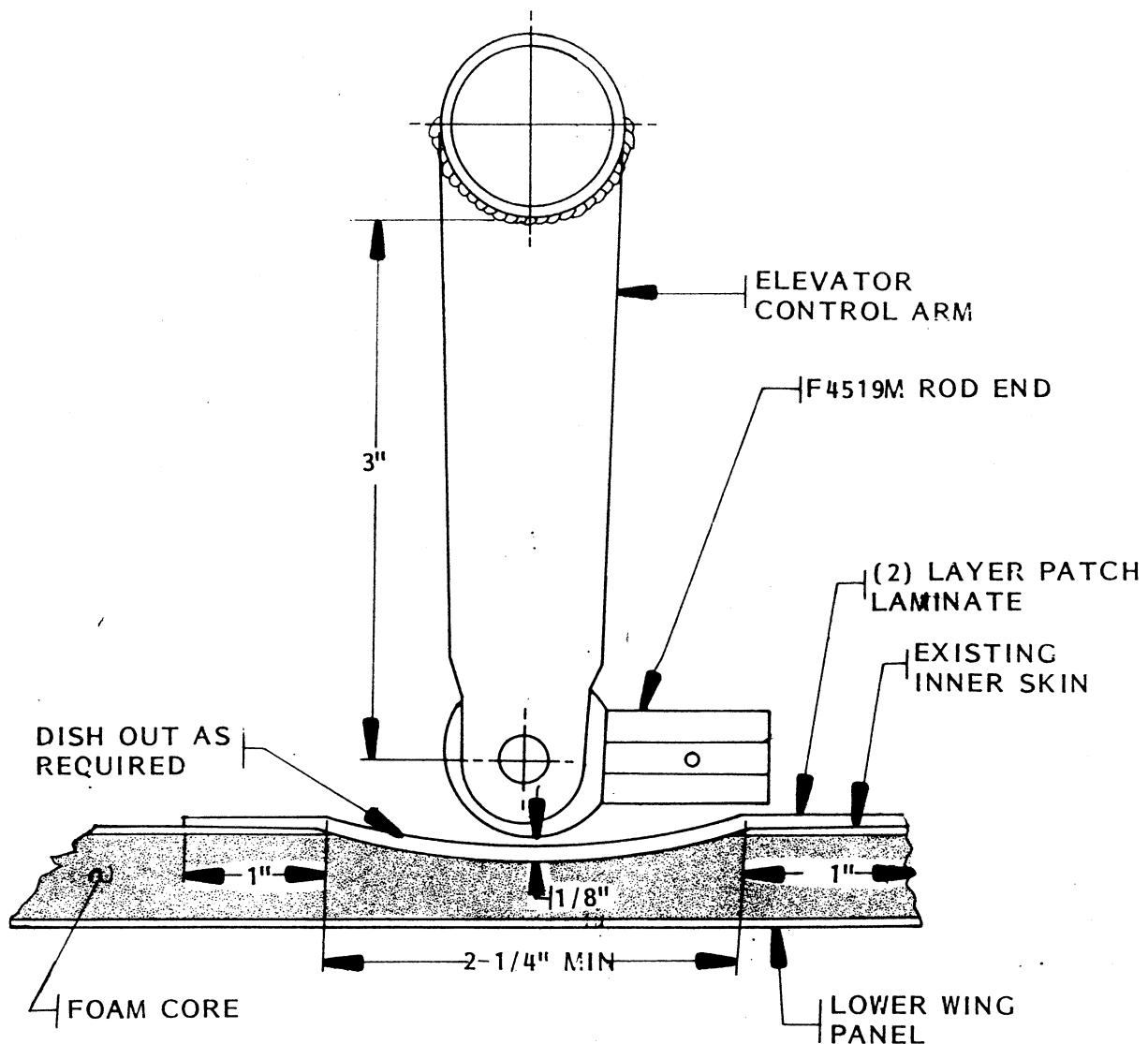


FIGURE (1)

NOTE: With the longer actuating arm, some relieving of the lower wing panel foam core may be required to provide clearance for the elevator control rod end when it is installed on the elevator control arm. Dish the inside laminates and the foam core of the lower wing panel out as required to provide a minimum of 1/8" clearance between the elevator control rod end installed on the elevator control arm and the lower wing panel. Seal the foam of the dished out area with a thin Q-cell resin mixture. Replace the removed laminates by installing a (2) layer bidirectional cloth patch, cut on a 45° bias, over the affected area. The (2) layer patch must be of sufficient size to fill the dished out area and also extend 1" past the modified area, onto the surrounding area.

H
STODDARD-HAMILTON
 AIRCRAFT, INCORPORATED

MODEL	ASSEMBLY NAME	REVISION	DATE	VOLUME	PAGE
GLASAIR II	SERVICE BULLETIN 35		08/20/87		2 OF 2