

SERVICE BULLETIN 38

SUBJECT: LOCATION OF FLAP CONTROL ASSEMBLY

APPLICATION: All Glasair III aircraft, all Glasair II TD, and FT Aircraft.

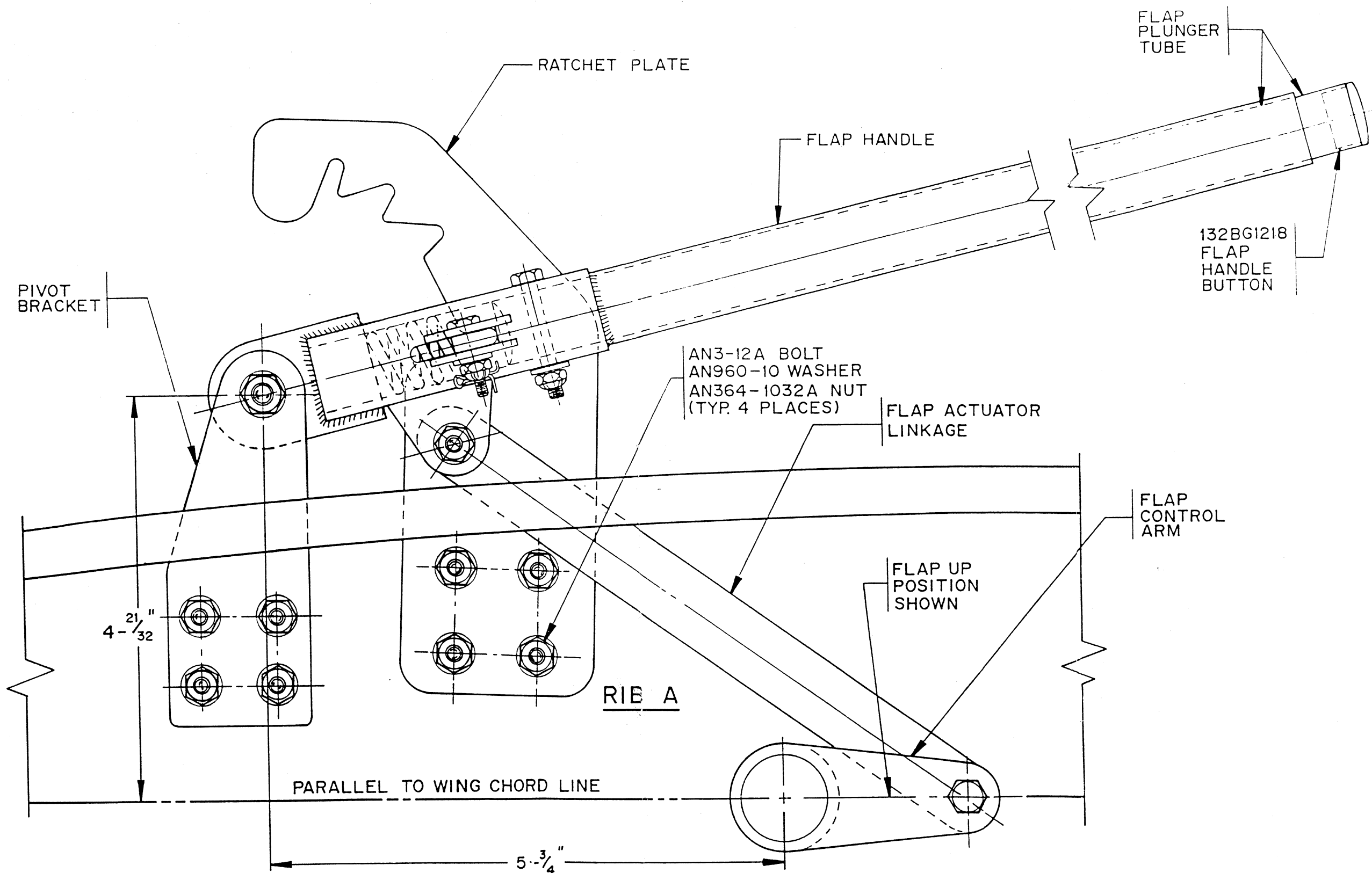
Applicable until the next revision to these Instruction Manuals is issued.

MANUAL REFERENCE: Glasair III FIGURE (C-59), page C-81.
Glasair II TD FIGURE (C-59), page C-81.
Glasair II FT FIGURE (C-65), page C-89.

Description: The locating dimensions shown for the Flap Actuating Mechanism in the Manual References listed above, are incorrect. The proper locating dimensions are shown in the enclosed FIGURE (A). The correct dimensions have been incorporated in the Glasair II RG Assembly Manual and will be incorporated in the next revision for the remaining manuals.




MODEL	ASSEMBLY NAME	REVISION	DATE	VOLUME	PAGE
GLASAIR	SERVICE BULLETIN 38		06/25/87		1 of 2



FLAP CONTROL ASSEMBLY
FLAP UP (RETRACTED) POSITION

FIGURE (A)

 STODDARD-HAMILTON AIRCRAFT, INCORPORATED			
MODEL	ASSEMBLY NAME	REVISION	DATE
GLASAIR	SERVICE BULLETIN 38		06/25/87
		VOLUME	PAGE
			2 of 2