

SERVICE BULLETIN 101 MANDATORY

SUBJECT: FUEL FILTER ASSEMBLY, INSPECTION AND MODIFICATION

APPLICATION: All Glasair II, II-S, and III kits

ITEM 1: Inspection for Possible Missing Parts in the Fuel Filter Assembly

DESCRIPTION: Some of the 332-0341-101 fuel filter assemblies may possibly have been shipped without all of the internal parts. One builder reported fluctuating fuel pressures in his Glasair; upon inspection, the spring that fits under the filter element was found to be missing.

SOLUTION:

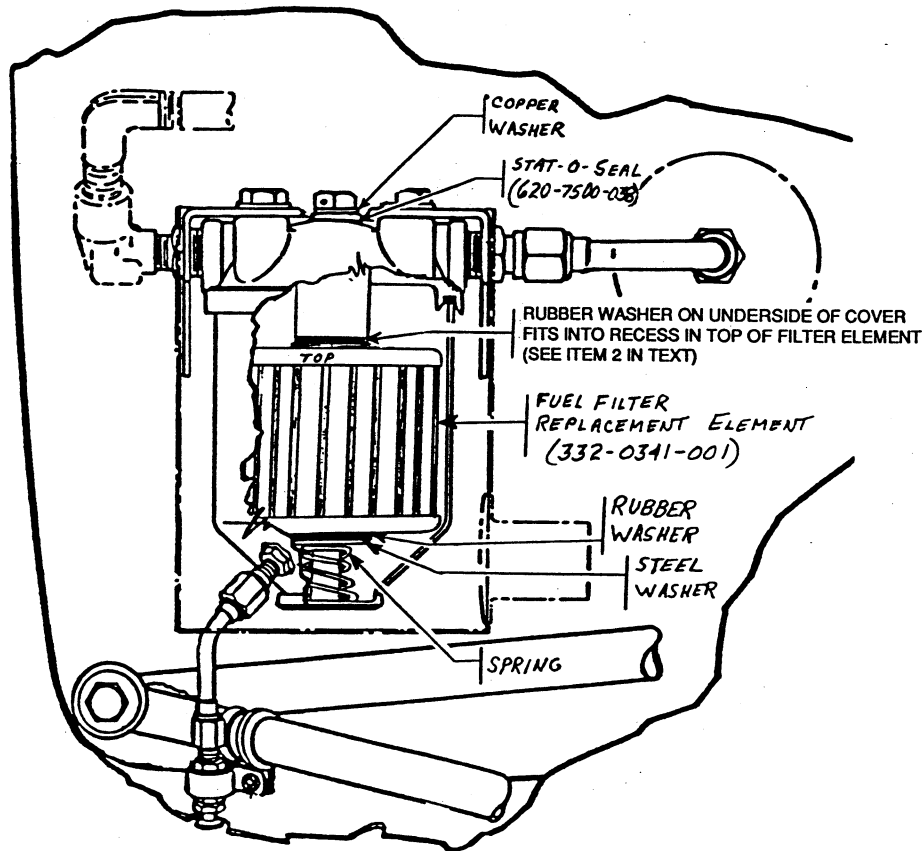


FIGURE (1)

WARNING: This inspection is MANDATORY.

Remove the bolt installed in the center of the upper fuel filter assembly to separate the filter bowl from the assembly. Verify that all parts have been installed in the proper sequence, as shown in FIGURE (1). If any parts are found to be missing, please notify us; we will send replacement parts.

STODDARD-HAMILTON
AIRCRAFT, INCORPORATED

MODEL GLASAIR	ASSEMBLY NAME SERVICE BULLETIN 101	REVISION	DATE 7/08/91	VOLUME	PAGE 1 of 2
------------------	---------------------------------------	----------	-----------------	--------	----------------

ITEM 2: Fuel Filter Assembly Modification

DESCRIPTION: The 332-0341-001 fuel filter replacement element is supplied with a rubber gasket that fits into a recess in the upper surface of the element. This gasket is designed to mate against a similar rubber gasket on the under side of the fuel filter assembly cover. When assembling the fuel filter, however, the filter element can shift to the side, resulting in a misalignment of the outlet hole in the fuel filter assembly cover with the hole in the filter element. This misalignment can significantly restrict the flow of fuel through the filter.

SOLUTION:

WARNING: This modification is MANDATORY.

Remove the black rubber washer bonded into the top of the filter element each time a new element is installed. The rubber washer on the under side of the fuel filter assembly cover will then fit into the recess in the filter element, centering the element to prevent any restriction of fuel flow.

CAUTION: Even though there is a strong tendency for the modified filter element to center itself if misaligned, make sure that the rubber gasket on the under side of the fuel filter assembly cover fits into the recess in the top of the filter element during assembly.

When reassembling the fuel filter, make sure the internal components are assembled correctly, as shown in FIGURE (1). A 620-7500-038 stat-o-seal must be installed between the copper washer and the upper portion of the fuel filter assembly when the fuel filter bowl securing bolt is installed.

NOTE: Before assembly, carefully inspect the lip of the filter bowl for nicks or burrs. If found, smooth the edge as required to achieve a good seal.


STODDARD-HAMILTON
AIRCRAFT, INCORPORATED

MODEL GLASAIR	ASSEMBLY NAME SERVICE BULLETIN 101	REVISION	DATE 7/08/91	VOLUME	PAGE 2 of 2
------------------	---------------------------------------	----------	-----------------	--------	----------------