

SERVICE BULLETIN 16

SUBJECT: NEW STYLE GAS CAP SEAL:

APPLICATION: All new style gas caps shipped between 2/11/86 and 9/17/86.

DESCRIPTION: The new style gas caps shipped before 9/17/86 were assembled with a flat rubber seal which, when subjected to prolonged exposure to gasoline, had a tendency to swell. The small "O" ring on the locking lever is not affected.

SOLUTION: To correct the problem new replacement seals are being sent out. The new seals are fabricated from a different type of rubber and are approximately 1/16 inch smaller in diameter.

REPLACEMENT INSTRUCTIONS: To replace the seal, first remove the cap from the wing (if installed) or from its sleeve. Next, the nut must be removed from the locking lever shaft, and the cap retaining plate backed off completely. The seal can now be changed. Care must be taken not to mix the old and new seals as the only visual difference between them is that the new seal is of slightly smaller outside diameter.

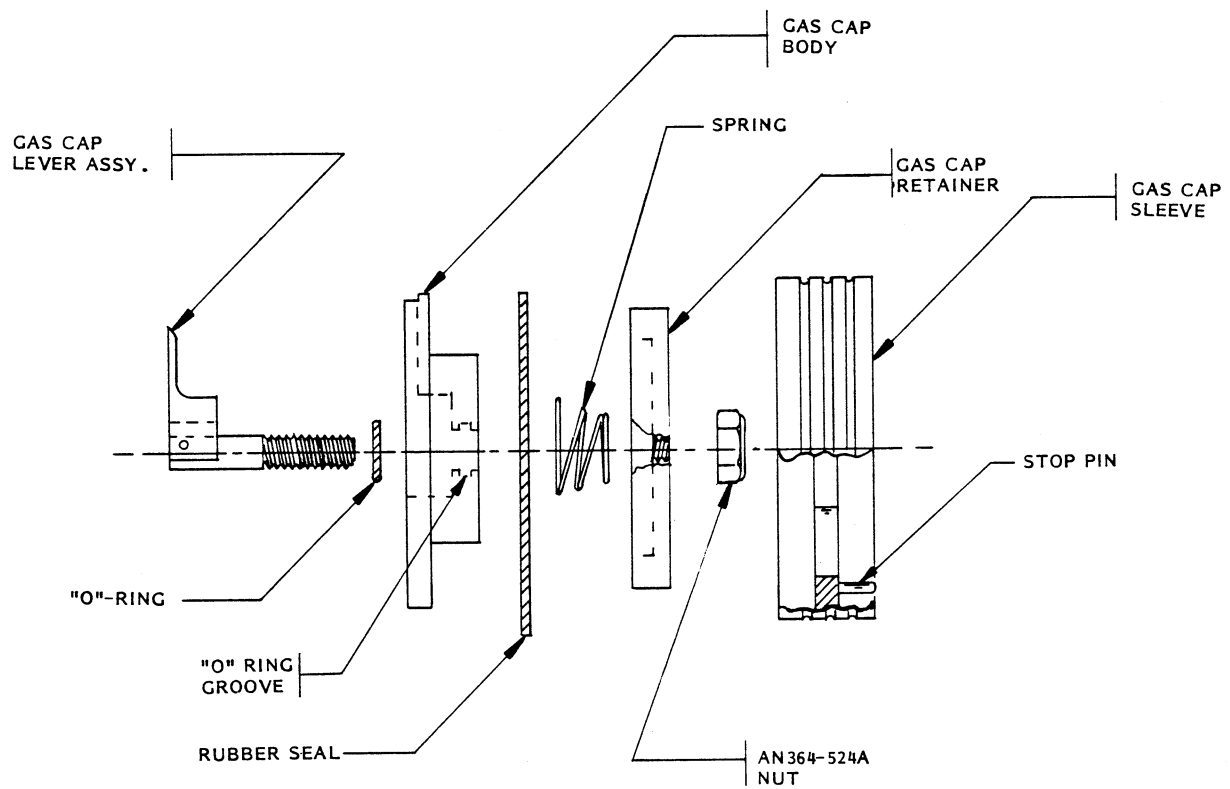
Note: Do not lose the spring when removing the retaining plate.

To reassemble, install the new seal and screw the retaining plate onto the locking lever shaft. The gas cap sealing adjustment is done at this time. Proper tension for the locking lever can best be described as a noticeable snap to the locked position, and when locked sufficiently tight to make it difficult to open with one's thumb-nail. This tension is adjusted by turning the retaining plate on the locking lever shaft. When proper tension is achieved, tighten the nut down on the retaining ring being careful not to turn the retaining plate. If the gas cap sleeve has been installed in the wing, some trial and error adjustments may be necessary for proper orientation and locking.

**STODDARD-HAMILTON**
AIRCRAFT, INCORPORATED

MODEL	ASSEMBLY NAME	REVISION	DATE	VOLUME	PAGE
GLASSAIR RC	SERVICE BULLETIN 16	9/30/86		1 of 2	

FIGURE (1)
NEW STYLE GAS CAP ASSEMBLY



STODDARD-HAMILTON
AIRCRAFT, INCORPORATED

MODEL GLASSAIR RG	ASSEMBLY NAME SERVICE BULLETIN 16	REVISION 9/30/86	DATE	VOLUME 2 of 2	PAGE
----------------------	--------------------------------------	---------------------	------	------------------	------